

**MATERIAL SPECIFICATIONS:**

Body & Housing: PA, UL-94V-0 rated, color black  
 Contacts: Brass, Gold plated

**MECHANICAL SPECIFICATIONS:**

Wire gauge: 0.25mm<sup>2</sup> / 24AWG  
 Durability: 500 mating cycles min.

**ELECTRICAL SPECIFICATIONS:**

Rated current / voltage:  
 3 contact = 3A / 125V per contact  
 4 contact = 2.5A / 125V per contact  
 5 contact = 2A / 63V per contact  
 8 contact = 1A / 63V per contact

Contact resistance: 3 mohms max.

**Rated impulse voltage:**

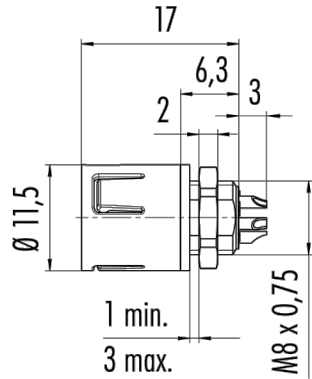
3A & 2.5A = 1500V  
 2A & 1A = 800V

**IEC/UL 61010-1 SPECIFICATIONS:**

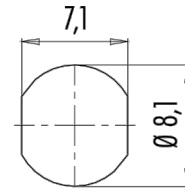
Material group: I, II  
 Overload category: II  
 Pollution degree: 2

**ENVIRONMENTAL SPECIFICATIONS:**

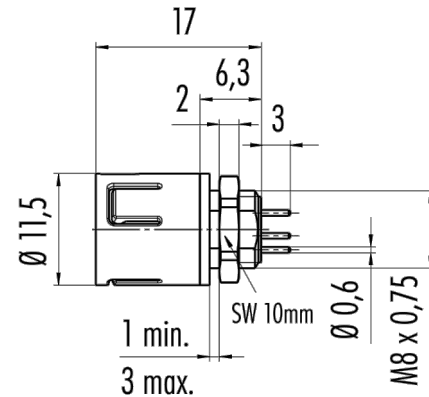
Degree of Protection: IP67  
 Operating Temperature: -25°C ~ +85°C



**SOLDER TERMINALS**



**PANEL CUTOUT**



**PCB PINS**

**ORDERING CODE:**

PD-HEC3-MPC-\_-\_-\_-  
 X1 X2 X3

**X1) Terminals:**

Solder = S  
 PCB Pin = P

**X2) No. of Contacts:**

3, 4, 5 or 8

**X3) Housing Color:**

Black = B  
 Blue = BL  
 Red = R  
 Green = G

**NOTES:**

Rear Mount Adapter p/n PD-HEC3-RMA  
 Front Mount Adapter p/n PD-HEC3-FMA

TOLERANCE UNLESS OTHERWISE SPECIFIED	
X	± 1
X.X	± 0.4
X.XX	± 0.13

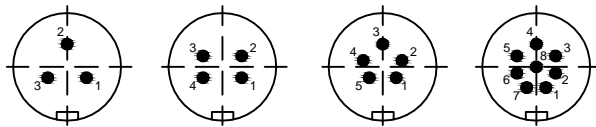
**Power Dynamics, Inc.**

Phone: 973 560-0019 Whippany, New Jersey Fax: 973 560-0076

**PART: IP67 DUSTPROOF / WATERPROOF  
 MALE SNAP LOCK PANEL CONNECTOR**

DRAWN BY: PB	DATE: 7/30/15
CHECK BY:	DATE:
APPR BY:	DATE:

<b>PD-HE3-MPC-X-X-X</b>		SHEET 1 of 1
PART #:	ALL DIMENSIONS FOR REFERENCE ONLY DIMENSIONS ARE IN MILLIMETERS	
SIZE: A	SCALE: NTS	REV:



**CONTACT ARRANGEMENT**

REVISIONS	CHANGE	CHK	CHK	APPR
	DATE			